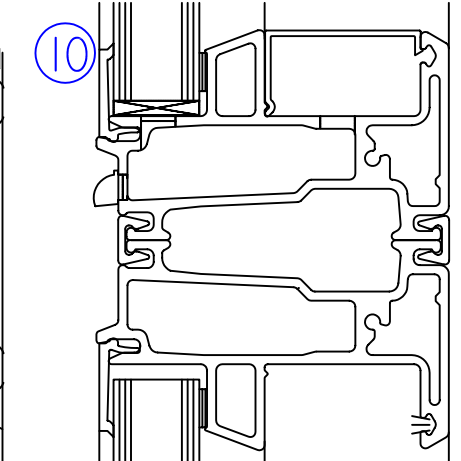
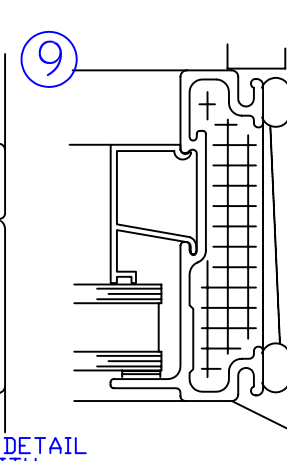
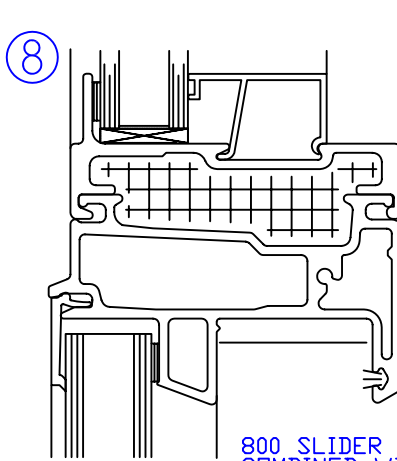
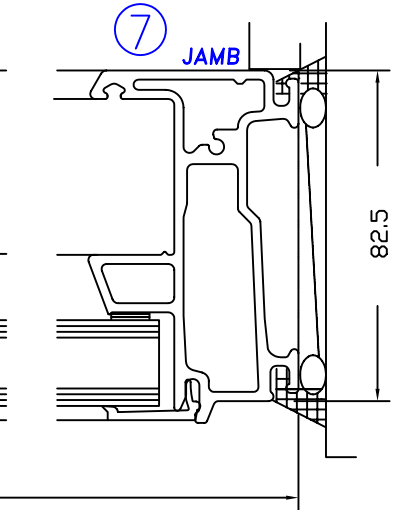
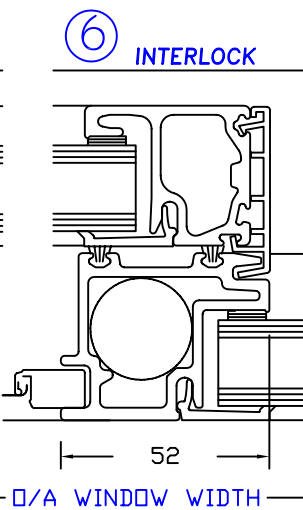
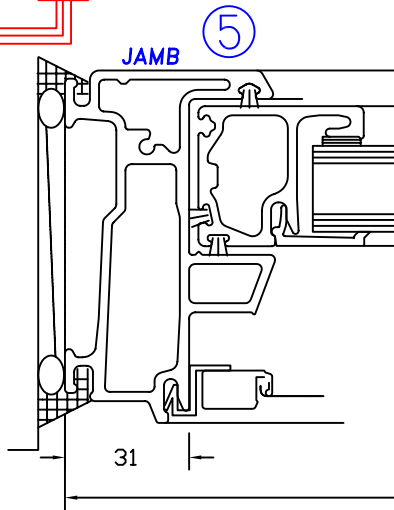
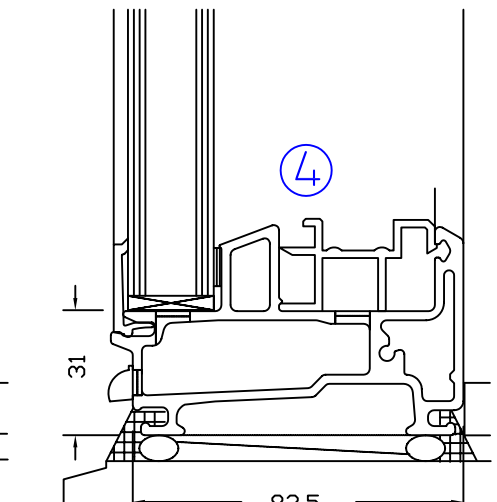
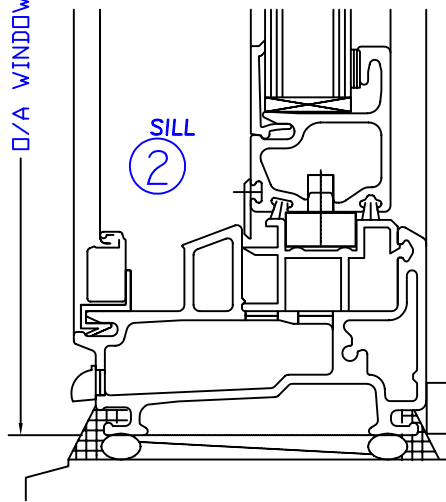
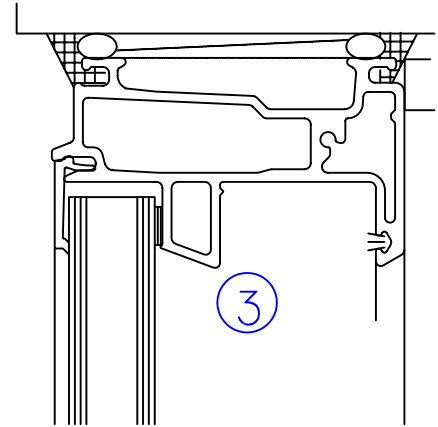
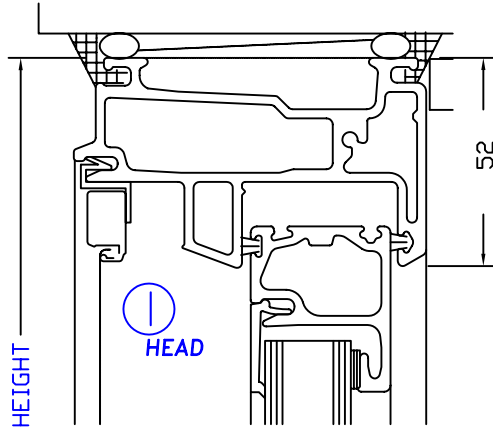
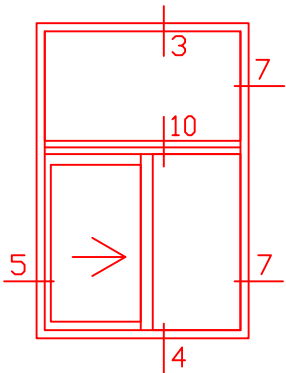
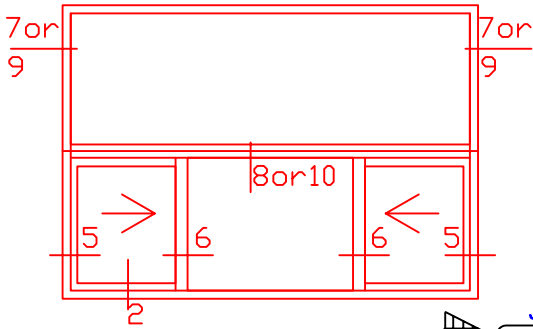
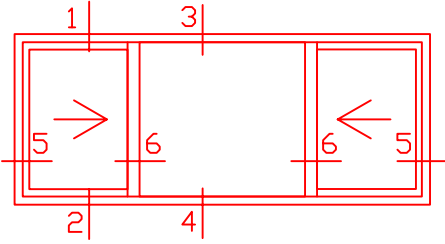
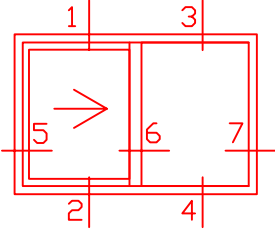


SOVEREIGN FIBERGLASS  
800 SERIES  
HORIZONTAL SLIDER



800 SLIDER DETAIL  
COMBINED WITH  
326 OR 325 WINDOWS