

INSTALLATION INSTRUCTION

301 FRENCH DOOR

A GOOD INSTALLATION ENSURES LASTING WINDOW PERFORMANCE.

BUILDING CODES, ENVIRONMENTAL CONDITIONS, APPROVED SHOP DRAWINGS MAY VARY & SUPERSEDE THE PROCEDURES CONTAINED BELOW. THE RESPONSIBILITY FOR COMPLIANCE IS THE PROJECT'S OWNER(S), INSTALLERS, ARCHITECT, INSPECTORS, & BUILDING SCIENTISTS.

1. HANDLE CAREFULLY
2. STORE WITH NON-ABRASIVE SEPARATORS BETWEEN FRAMES. WINDOWS SHOULD BE STORED IN A PLACE PROTECTED FROM WEATHER.
3. ALTERATIONS – WINDOWS SHOULD NOT BE LOAD BEARING AFTER INSTALLATION. WINDOWS SHOULD NOT BE MODIFIED TO ACCOMMODATE AIR CONDITIONERS, EXHAUST FANS, ETC.
4. R.O. – PRODUCT WAS DEVELOPED & TESTED IN A WINDOW WALL INTERFACE SYSTEM DESIGNED TO MANAGE WATER. SEE BRICK VENEER SILL EXAMPLE 4) BELOW FOR LOW TO MODERATE DESIGN PRESSURE REQUIREMENTS.
5. ANCHORAGE – WINDOW FRAMES SHOULD BE SET PLUMB, SQUARE, SHIMMED AND SECURED TO SURROUNDING STRUCTURE. WINDOW ANCHORAGE MUST BE SUFFICIENT TO MEET STRUCTURAL REQUIREMENTS OF LOCAL BUILDING CODES. ALLOW AT LEAST 6mm (+1/4") SPACE BETWEEN THE FRAME AND ROUGH OPENING FOR SHIMMING AND ADJUSTMENT. ALWAYS ADJUST ANCHOR POSITION, SHIMMING THICKNESS TO MAINTAIN STRAIGHT AND PARALLEL LINES BETWEEN SASH AND FRAME. ENSURE ADEQUATE AND LEVEL SUPPORT OF THE SILL.

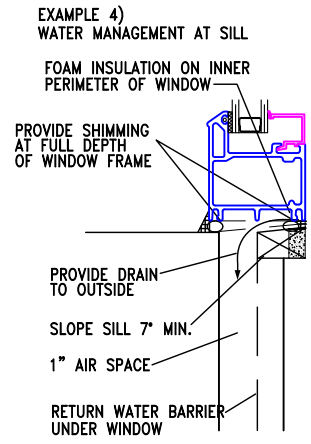
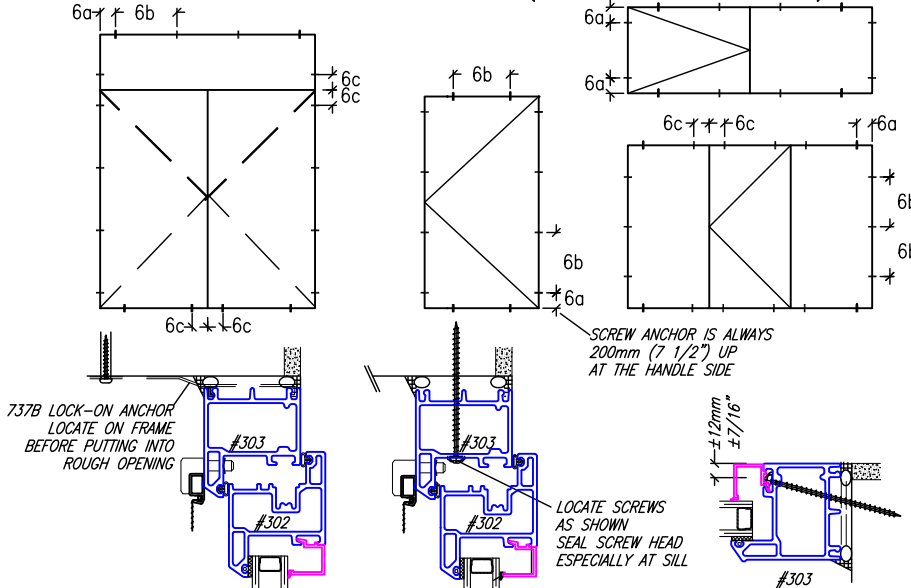
* ANCHORING METHOD FOR SINGLE OPERATOR – a) SET WINDOW/DOOR LEVEL IN SUBSTRATE, b) ANCHOR WINDOW/DOOR IN TWO OPPOSITE OR DIAGONAL CORNERS, c) OPEN SASH SMALL DISTANCE FROM FRAME, d) MOVE UNANCHORED CORNERS OF WINDOW /DOOR INWARD OR OUTWARD UNTIL GAP BETWEEN SASH & FRAME IS EQUIDISTANT ON OPENING EDGE, e) APPLY ANCHORS IN REMAINING CORNERS. f) MEASURE FRAME DIAGONALS TO CHECK FOR SQUARENESS g) CLOSE WINDOW/DOOR & CHECK THAT LOCK ENGAGES EASILY, h) APPLY REST OF ANCHOR AS PER RECOMMENDED ANCHOR LOCATIONS.


SHIMS REQUIRED TO SUPPORT INTERIOR & EXTERIOR OF WINDOW FRAME AT ALL ANCHORS & ESPECIALLY AT SILL.

- 6a. CORNER ANCHORS – SECURE WITHIN 100mm (4") FROM THE CORNERS.
- 6b. PERIMETER ANCHORS – SPACING SHOULD NOT EXCEED 450mm (18") ON CENTER.
- 6c. MULLION AND TRANSOM ANCHORS – ALWAYS ANCHOR WITHIN 100mm (4") FROM MULLION OR TRANSOM (IT IS ALWAYS A CRITICAL AREA FOR ANCHORAGE).
7. PERIMETER CAVITIES – BETWEEN WINDOW FRAMES AND ROUGH OPENING (R.O.) SHOULD BE FILLED WITH LOOSE INSULATION OR LOW EXPANSION FOAM. DO NOT DISTORT FRAME BY OVER PACKING. NOTE THAT AN INSULATED CAVITY IMPROVES THERMAL PERFORMANCE.
8. CAULK THE EXTERIOR PERIMETER TO PROVIDE SEAL BETWEEN WALL AND RAIN SCREEN TO ENSURE CONTINUITY OF WEATHER TIGHTNESS.
9. CAULK AND/OR TAPE THE INTERIOR PERIMETER TO PROMOTE CONTINUITY OF AIR BARRIER TO MINIMIZE RISK OF CONDENSATION WITHIN THE CAVITY & TO MEET TESTED AIR & WATER RESISTANCE LEVELS.
10. DOOR FRAME TO BE MOUNTED FLUSH TO INTERIOR WALL SEE #303 BELOW (EXTERIOR ALUM. EXTENSORS AND BRICKMOULD AVAILABLE FOR FINISHING OF OUTSIDE SUBSTRATE).
11. WHERE FLUSH MOUNTING TO INTERIOR WALL IS NOT POSSIBLE: INTERIOR (ON OR OFF SYSTEM WINDOW & DOOR) STOPS MUST BE USED TO PREVENT DOOR OR WINDOW SASH FROM COMING IN CONTACT WITH INTERIOR EDGE OF ROUGH OPENING. CAUTION HARDWARE CAN BE DAMAGED IF ON OPENING, SASH COMES IN CONTACT WITH INTERIOR JAMB.
12. MAINTANANCE – WASH GLASS & FRAME WITH NON-ABRASIVE CLEANER & WATER. LUBRICATE WITH ONLY SILICONE LUBRICANT SPRAY – HARDWARE & ALL WEATHERSTRIP EVERY SIX MONTHS MIN. TO MAINTAIN EASE OF OPERATION.

NOTE:1) IF ANCHORAGE IS PROVIDED BY DIRECT FASTENING USE WASHER TYPE OF FASTENERS, FULLY SUPPORT FRAME AT FASTENER LOCATION.

RECOMMENDED MINIMUM ANCHOR LOCATIONS (SCREW OR STRAP ANCHOR)



ITEM.	QTY.	DWG.NO./CAT.NO.	DESCRIPTION	MATERIAL		
	SHEET 1 / 2		<h2 style="margin: 0;">INSTALLATION INSTRUCTION</h2> <h3 style="margin: 0;">301 FRENCH DOOR</h3>	DR. BY.	G.R.	
	NO.	REVISION		DATE	DATE	Apr. 06
	1.	K.C.		Mar.07	SCALE	
					301-000	

4/185 Briens Rd Northmead
Sydney NSW 2152