

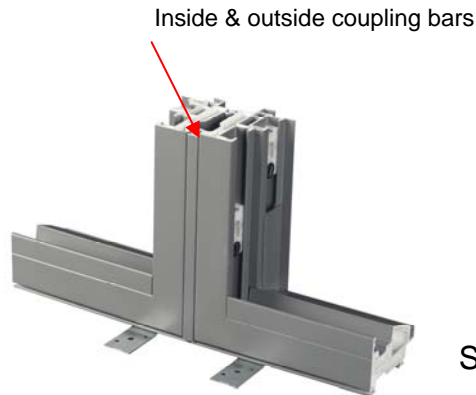
Installation Of Anchor Brackets & Reveals

All Sovereign windows can be attached to the wall frame by either direct screw connection through the frame or by the attachment of anchor brackets (see individual installation guides for details)

The procedure is to rotate the anchor into position on the sides of the frame and fit the reveal butting the inside of the frame to form the reveal arrangement. The frame and reveal are connected once the anchor has been secured via screws.

The completed frame with reveal is then placed in the opening and fixed to the wall stud's via nailing through the reveal.

Anchor is rotated and clips into the back of the profile, pointing inside to the room. Fixed by screws to the timber reveal



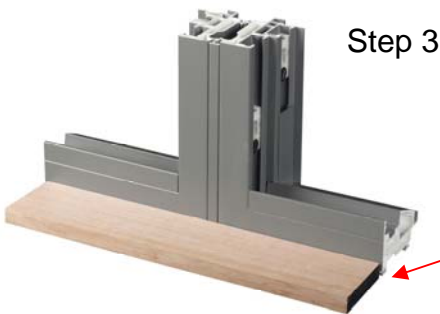
Step 2

Stud Wall arrangement for two Double Hung coupled windows

Step 1



Brick Wall arrangement



Step 3

After fixing the reveal to the frame the completed window with reveal can be fitted and leveled in the window opening. The window is attached to the wall frame by nailing or the use of screws through the reveal.

An alternative method is to fit the anchors as above, fit and shim the window and attach through the anchors (brick veneer construction) The reveal is then fitted to suit.

Sydney office:

Sovereign Windows & Doors Pty Limited
 Unit 4 / 185 Briens Road
 Northmead NSW
 Australia 2152
 ABN: 76 120 690 956



Phone: 02 - 9630-8190
 Fax: 02- 9890-7133



Email: sales@sovereignwindows.com.au
 Web site: www.sovereignwindows.com.au

